



GENERAL DESCRIPTION

Feeder, type FS5200P is an independent feeding device of combined type – back up battery and battery charger.

Its function is to ensure continuous power supply for devices in fire-alarming and fire-detecting installations and automation of the fire protection equipment.

The feeder complies with the provisions set in the European Standard EN 54-4:1997.

FS5200P consists of:

- feeding module (fig.1, pos. 1);
- two back up batteries (fig.1, pos. 2); The back up batteries are not included in the content of the delivery.
- Connecting terminals and a fuser 220V (fig.1, pos. 6 and 7).

The feeder front panel provides indication for the following conditions:

- Duty Mode (green LED)
- Fault condition (yellow LED). The fault condition could be mains voltage failure 220V or interrupted fuse Fs1; fault or missing back up battery; interrupted fuse Fs3; interrupted fuse Fs2 (fig.1).

On the feeding module the following terminals are located for connection to:

- the relay contacts for fault condition (fig.1, pos. 4);
- voltage terminal 28V / 3.5A (fig.1, pos. 3);
- switched power supply indicator (fig.1, pos. 8);
- indicators for locating the fault conditions (fig.1, pos. 9), the number from left to the right provides information about the fault:
 - 1 – common type;
 - 2 – back up battery or interrupted Fs2;
 - 3 – mains voltage failure 220V or interrupted Fs1;
 - 4 – interrupted fuse Fs3.

Upon fault condition the relay output is switched, too.

TECHNICAL DATA

- Input voltage: (187-253)V AC, 50 / 60 Hz
- Maximum current consumption 120VA
- Output voltage (17-28.4)V DC
- Maximum output current 3.5A
- Middle charging current 0.8A
- Overcharging protection at voltage < 17V
- Output for fault condition relay, potential free switching, 1A / 30V DC
- Maximum section of the connecting wires 2,5 mm²
- Back up battery 2x12V / 7 Ah
- Degree of protection IP 30

- Operational temperature range	minus 5°C - plus 40°C
- Relative humidity resistance	(92±3)% at 40°C
- Dimensions	330x305x80 mm
- Weight of the feeder	4.10 kg

CONTENT OF DELIVERY

- Power supply FS5200P	- 1 pc.
- Instruction Manual	- 1 pc.
- Fuse 4A	- 1 pcs.
- Fuse 6,3A	- 2 pcs.
- Connecting bridge for the back up batteries (fig.1, pos.10)	- 1 pc.
- Package	- 1 pc.

INSTALLATION

To install the feeder please follow the sequence:

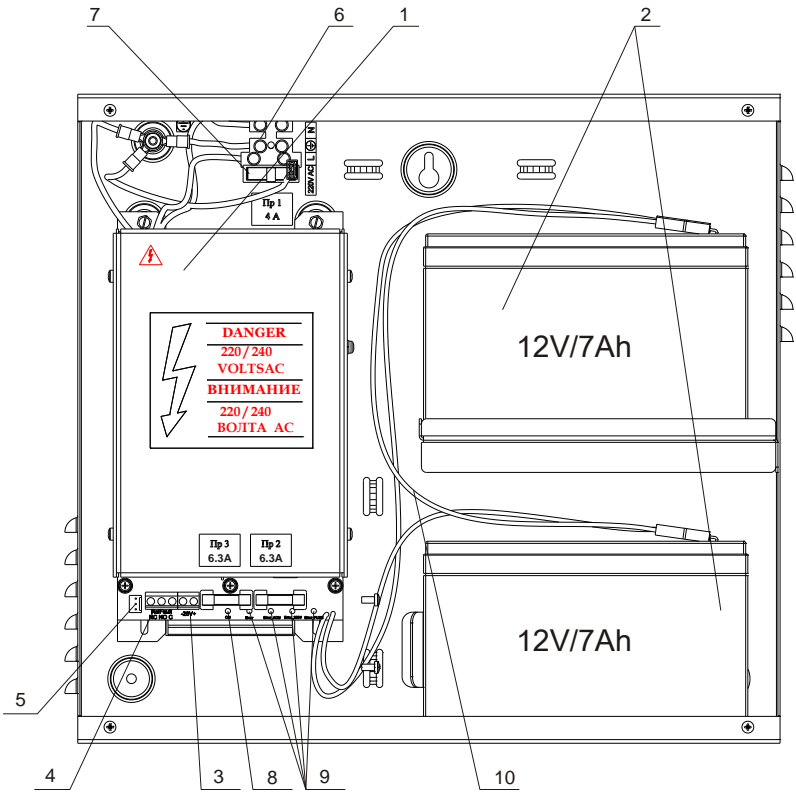
1. Dismantle the cover by unscrewing the fixings on the front panel. When the cover is removed, disconnect by means of the cable shoes, the earthing wire of the cover and the cable for the indicating PC board.
2. Drill the holes for the connecting wires. Observe the marked places.
3. Install the required connecting wires to the module.
4. It is recommended to install the multi-core connecting wires with cable shoes.
5. Put the indicating PC board cable wires in the respective terminals (to connector fig.1, pos. 5) and the earthing wire of the cover. Then install the cover by means of the fixings.

SERVICE SCHEDULE

- | | |
|--|-----------|
| 1. Inspection for visible physical damages | - monthly |
| 2. Satisfactory operation test | - monthly |

WARRANTY

The warrant period is 24 months from the date of purchase. The manufacturer guarantees the normal operation of the unit providing that the requirements set herein have been observed. The manufacturer does not bear warranty liabilities for damages caused through accidental mechanical damage, misuse, adaptation or modification after production.



Back-up batteries connection

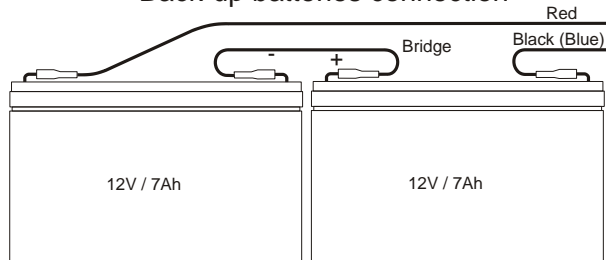


Fig.1

UniPOS

47, "San Stefano" Str., 5800 Pleven, BULGARIA
phone +359 64 891111, +359 64 891 100, fax +359 64 891 110
e-mail: office_pleven@unipos-bg.com

Mladost 1, bl.79B, entr.2, ap.17, 1784 Sofia, BULGARIA
phone/fax +359 2 9744469, +359 2 9743925
e-mail: office_sofia@unipos-bg.com

www.unipos-bg.com